

# MicroPack MP-10 Series LED Driver Modules For constant current LED lamps



Model: MP10-350-AN

The MicroPack MP-10 Series LED Driver Modules from B + L Technologies offer reliable, flexible and versatile solutions to your LED power supply needs. Our solution combines proven, reliable B+L low voltage isolated transformers with state of the art circuitry to supply constant current for your LEDs. The MicroPak system can provide 350 mA DC, 700 mA DC, and 1000 mA DC for up to 75 Watts of total power to satisfy your LED driving requirements.

About the size of a silver dollar, the MicroPack LED modules are compact and are completely potted in epoxy. This makes the MicroPack ideally suitable for landscape lighting and outdoor applications where humidity is a major concern.

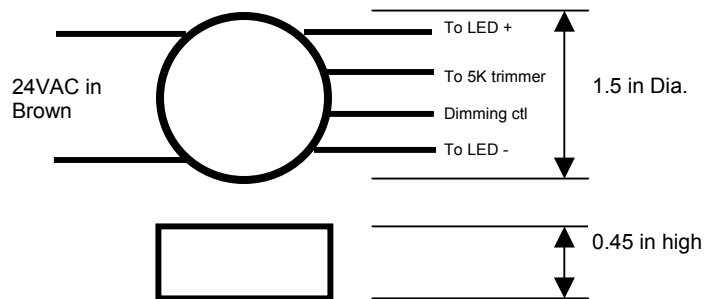
B+L Technologies' MicroPack LED drive system offers many exciting and flexible solutions for most of your LED applications. It opens up many possibilities for new designs. Contact our customer service representatives to find out more about these and other lighting products.

## Advantages

- ✓ Miniature potted format
- ✓ Suitable for indoor and out door applications
- ✓ Mix different mA LEDs
- ✓ Combine with B+L isolated low voltage transformer to power Maximum load of 75W
- ✓ Can combine LED with low voltage Halogen lamps
- ✓ Ideal for landscaping and outdoor use
- ✓ Resistant to moisture and humidity

## General Specifications

- ✓ Input 24VAC Max
- ✓ DC output. Available in 350mA, 700mA, 1000mA
- ✓ Maximum load of 24W per module
- ✓ No minimum load
- ✓ Operating temperature: -20 °C to +85 °C

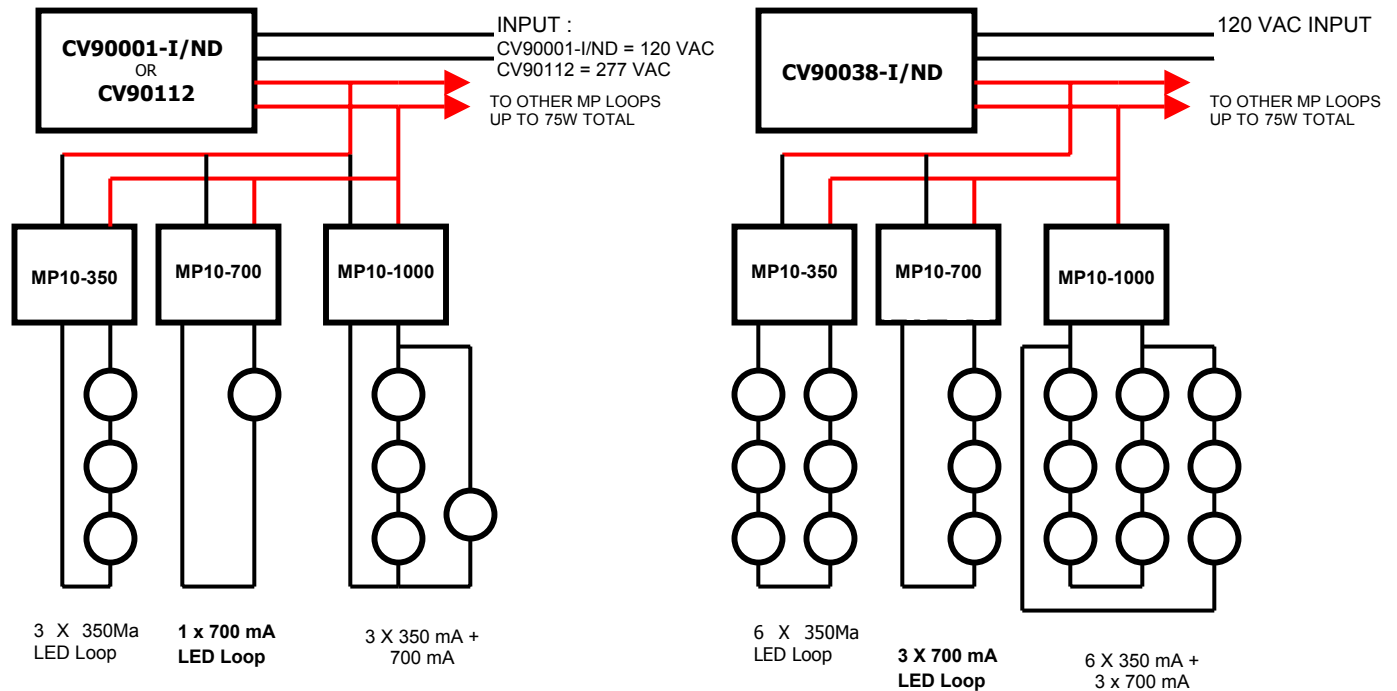


## Ordering Information

MODEL NO.	OUT	MAX INPUT VOLT	DIMMABLE	MAX LOAD	MAX No. OF 350mA LED	MAX No. OF 700mA LED
MP10-350-AN		24 VAC	NO	8 W	6	----
MP10-350-AD		24 VAC	YES (EXT 5K POT)	8 W	6	---
MP10-700-AN		24 VAC	NO	17 W	12*	4
		24 VAC	YES (EXT 5K POT)	17 W	12*	4
	1000 mA DC	24 VAC	NO	24 W	18**	4***
MP10-1000-AD	1000 mA DC	24 VAC	YES (EXT 5K POT)	24 W	18**	4***
CV90001-I/ND	12 VAC OUT	120 VAC	NO	75 W	TO DRIVE MP	1.5 W
CV90038-I/ND	24 VAC OUT	120 VAC	NO	75 W	TO DRIVE MP	3 W
CV90112	12 VAC OUT	277 VAC	NO	75 W	TO DRIVE MP	1.5 W

\* 2 loops of 6 in parallel. \*\* 3 loops of 6 in parallel. \*\*\* 1 loop of 4 x 700mA in parallel with 1 loop of 6 x 350mA

## Typical wiring diagrams



## Warranty

We are pleased to offer our standard warranty to the original purchaser

**Please consult factory for details**



1131 Autoroute Laval W.  
Laval (Quebec)  
Canada, H7L 3W3  
Tel.: (450) 663-7884  
1-800-361-1400  
Fax.: (450) 663-7638  
[www.bplusl.com](http://www.bplusl.com)  
[info@bplusl.com](mailto:info@bplusl.com)