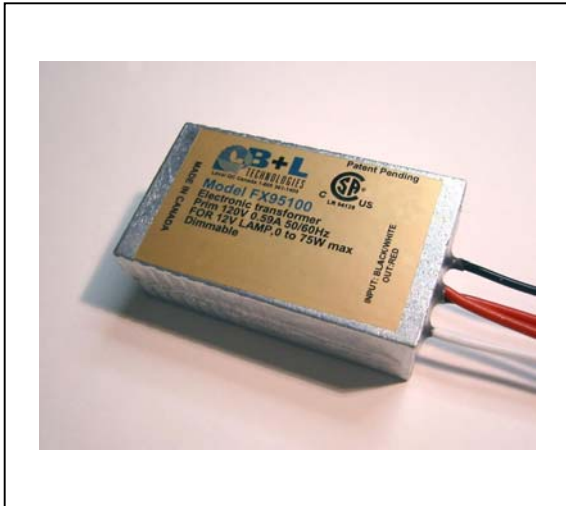


# The Power of Illumination

[www.bplusl.com](http://www.bplusl.com)

## FX Star LED Series Electronic Transformers for dimming of constant Current LED lights



Model: FX95100/LD

More than ever, dimmable LED lighting control and lighting effects play a key role in interior design. The FX Star Series electronic transformers are specially engineered to work with our MicroPack LED modules to provide dimmable LED lighting controls for your constant current LED applications. Now you can dim LEDs easily with ELV type line voltage dimmer to provide smooth dimming of LEDs. This saves in installation costs and provides enormous flexibility for your lighting designs.

The FX Stars are unique transformers able to operate 12V or 24V LED lamp load with no minimum load requirements. This special feature is achieved by a patented pending technology based on a micro controller, allowing the transformer to be very stable and efficient in a very compact casing, and best of all, smooth dimming of LED lamps.

B+L Technologies' FX Star electronic transformers offer multiple possibilities to meet your requirements and please your customers. Contact our customer service representatives to find out more about those and other lighting products.

### Advantages

- ✓ Miniature casing
- ✓ Designed for architectural lighting control systems
- ✓ Can be used in halogen and LED mixed loads
- ✓ No minimum load requirement
- ✓ Easily controllable
- ✓ Noiseless operation under dimming conditions
- ✓ Facilitates lighting fixture integration
- ✓ Suitable for LED loads
- ✓ No zero cross-over blinking
- ✓ Works well with 12V MR16 replacement LEDs
- ✓ Smooth dimming of LED light sources

### General Specifications

- ✓ Input 120V 50/60 Hz
- ✓ Available in 12V or 24V output
- ✓ Maximum load of 75W for all halogen
- ✓ 54W for mixed loads
- ✓ No minimum load, 15% to 100% dimming range without flicker
- ✓ THD < 13%
- ✓ Power factor > .98
- ✓ Class A insulation system. Maximum transformer temperature of 90°C
- ✓ Operating frequency > 20kHz



1-800-361-1400



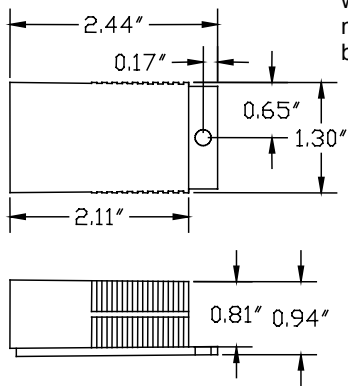
## Ordering Information

### 120VAC

MODEL NO.	12VAC OUTPUT	24VAC OUTPUT	ACCEPTS LOAD FROM 0W TO 75W	DIMMABLE	COMPATIBLE WITH RECOMMENDED MULTIZONE CONTROL SYSTEMS
FX95100/LD	YES		YES	YES	YES
FX95120/LD		YES	YES	YES	YES

## Dimensions

Figures shown with optional mounting bracket

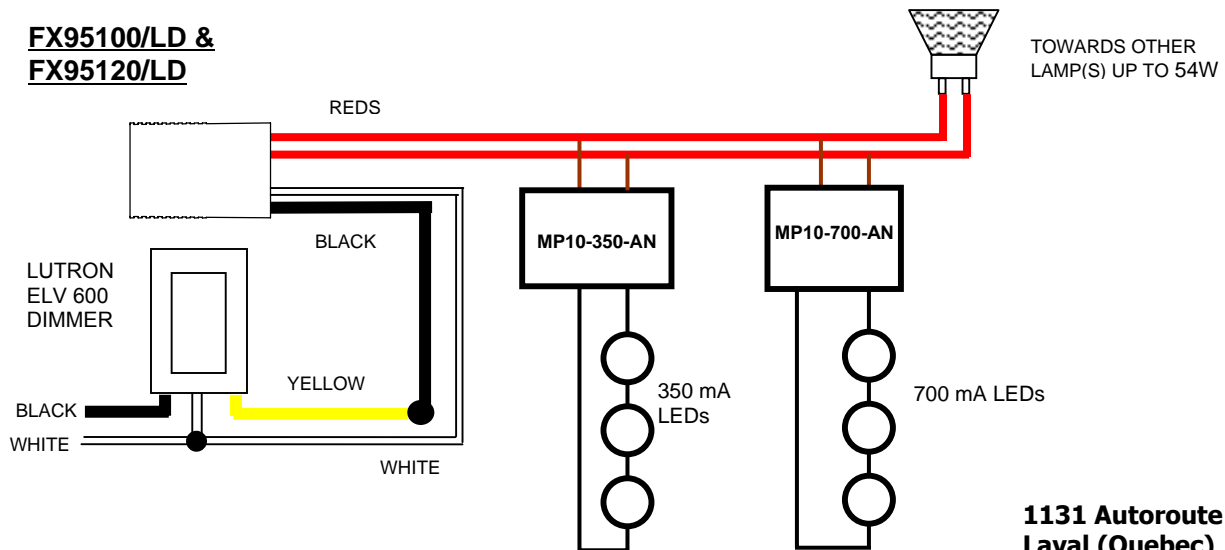


## Warranty

2 years from delivery date for:  
**FX Star Series Transformers**

## Cabling Diagrams

### FX95100/LD & FX95120/LD



1131 Autoroute Laval W.  
Laval (Quebec)  
Canada, H7L 3W3  
Tel.: (450) 663-7884  
1-800-361-1400  
Fax.: (450) 663-7638  
[www.bplusl.com](http://www.bplusl.com)  
[info@bplusl.com](mailto:info@bplusl.com)